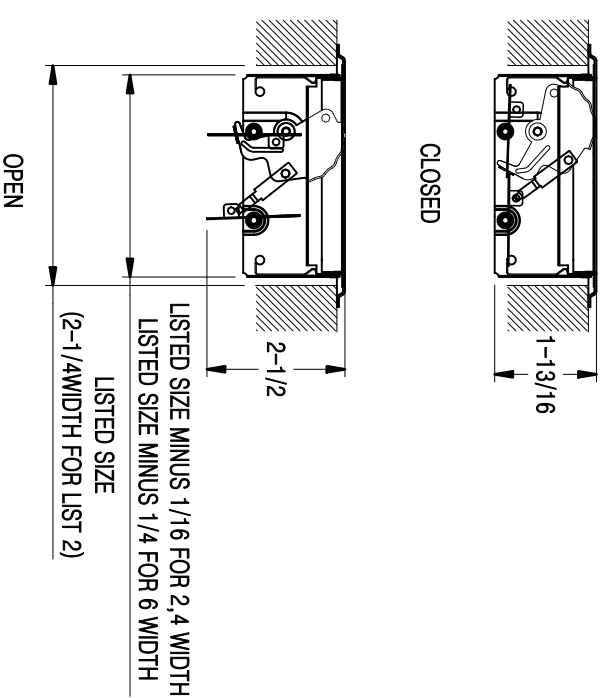
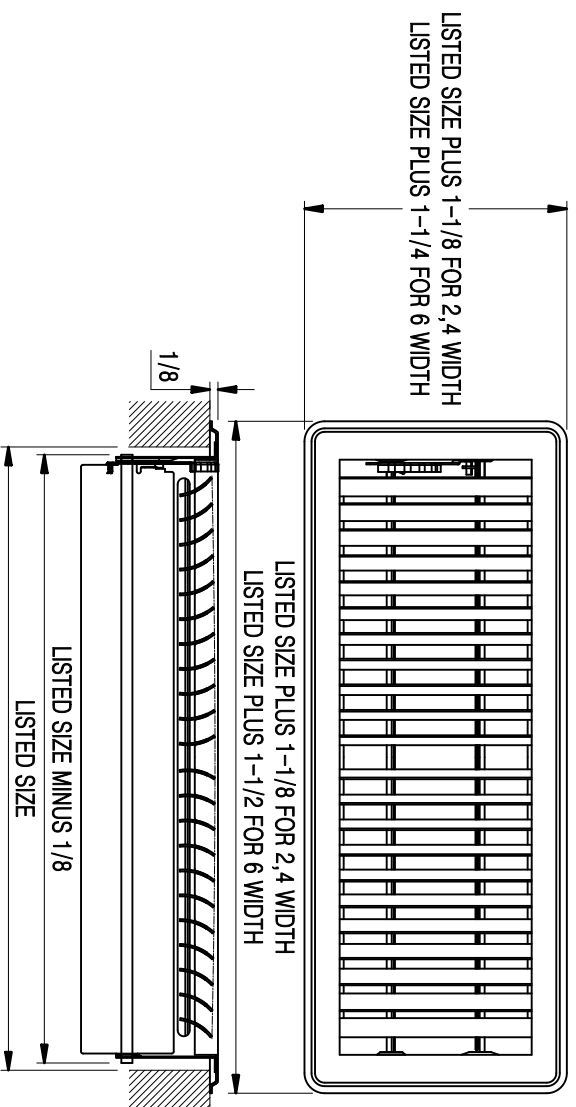


301 101 Heavy-Gauge Floor Diffuser

- Heavy gauge steel construction
- Rigid Individually welded diffusion vanes
- Multi-angle fin setting
- Opposed blade damper
- Foot-operated dial control
- Can be used in high traffic areas
- Dual-coating
- Available finish: White and Brown

301 101 Available Sizes (In.)			
WIDTH	HEIGHT		
	10	12	14
2	●	●	●
4	●	●	●
6	●	●	●



Drawing date: November 14, 2017